



# BEAR ROOTZ

---

## CELESTIA (CQ101S) PACKET QUARTZ CARTRIDGES

---



WE APPRECIATE YOUR BUSINESS & OUR RELATIONSHIP.

# QUARTZ CARTS CUSTOMIZATIONS CELESTIA (CQ101S)

## DETAILS

- Patented Quartz Atomizer Technology
- Stainless Steel Center Post
- Universal 510-Thread
- Resistance: 1.4ohm
- Won't Burn Out at High Temperatures

## TANK

BPA-FREE POLYCARBONATE

## SIZES

0.5mL 1.0 mL

**TIPS** (Press-On)

Shape:

DUCKBILL BARREL

Material:

PLASTIC

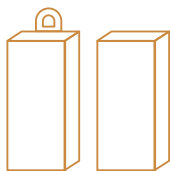
TIP OPTIONS:  
Plastic Duckbill or Barrel



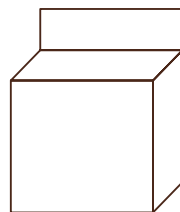
## PACKAGING OPTIONS

### INDIVIDUAL OPTIONS

- No Window
- Window
- No Hanger
- Hanger
- Non-CR
- CR



### MASTER DISPLAY



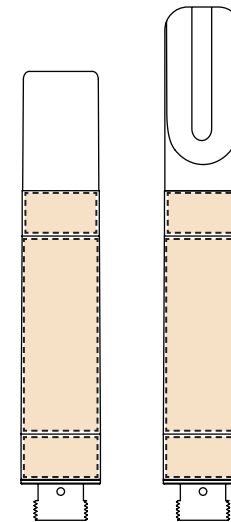
Cartridge boxes are fully customizable to your brand. We can print as many colors as you would like, but keep in mind, the more colors you print, the higher the cost.

## CARTRIDGE DESIGN OPTIONS

Options can be combined.

Logo on Glass (1 Color)	+ \$0.06
Logo on Glass (2 Colors)	+ \$0.11
Custom Color Mouthpiece	+ \$0.11
Custom Color on Collar	+ \$0.11
Logo on Collar (1 Color)	+ \$0.06
Etched Logo on Collar	+ \$0.06
Cannabis State Warning Symbol on Glass	+ \$0.06-\$0.14

 CUSTOM AREAS



## MINIMUM ORDER QUANTITY

CARTRIDGES	5,000
INDIVIDUAL BOXES	Varies
MASTER DISPLAY BOXES	Varies

Higher quantities purchased may result in price breaks. Please speak to a sales agent for pricing details.

# CELESTIA (CQ101S) QUARTZ CARTRIDGES



*Same oil, better flavor, happier customers!*

Quartz Atomizer Technology is the next step in the cartridge evolution, it's the most modern & flavorful way to vape! Our Quartz Cartridges feature our patented quartz atomizer and filter system that enhances oil flavor while reducing leakage and damage. Our stock Quartz Cartridges can also be fully customized to suit your branding needs.

## The Best Flavor Profile on the Market

Thanks to the natural properties of quartz, quartz atomizers provide superior flavor and consistent vapor production from the very first puff to the last.

*Atomizers made of non-quartz materials tend to wear down faster, releasing particles into the vapor and altering the oils' natural flavor.*

## Handles Almost All Ranges of Viscosity

Our patented microporous filtering technology allows processors to use a single cartridge style for multiple oil types. Our quartz filters are designed to only allow vapor to pass through, greatly reducing the risk of leaks.

*Many cartridges currently in the market require adjustments to accommodate oils with different viscosities, but our patented technology eliminates this need and allows for seamless use with various oil types.*

## Superior Heating Element

Due to quartz's crystalline structure, it naturally conducts heat while using less energy compared to other atomizers on the market.

*Since quartz has equally-sized pores, it allows the atomizer to heat up and vaporize the oil more evenly with less energy, resulting in a smoother vaping experience without any burnt hits.*

Barrel Mouthpiece

Duckbill Mouthpiece



\* PatentNo: US 10,701,977

## HOW TO ORDER & GET PRICING

Please email:

[SUPPORT@BEARROOTZ.COM](mailto:SUPPORT@BEARROOTZ.COM)

Ask for our individual packets to learn more about our products!

### DETAILS

- Full Customization Available
- Patented Quartz Atomizer Technology
- Universal 510-Thread
- Stainless Steel Center Post

### DESIGN OPTIONS

- **TANK:** Glass
- **CENTER POST:** Stainless Steel
- **COLLAR:** Custom
- **TIPS:** Duckbill/Barrel (Press-On)

### SIZES

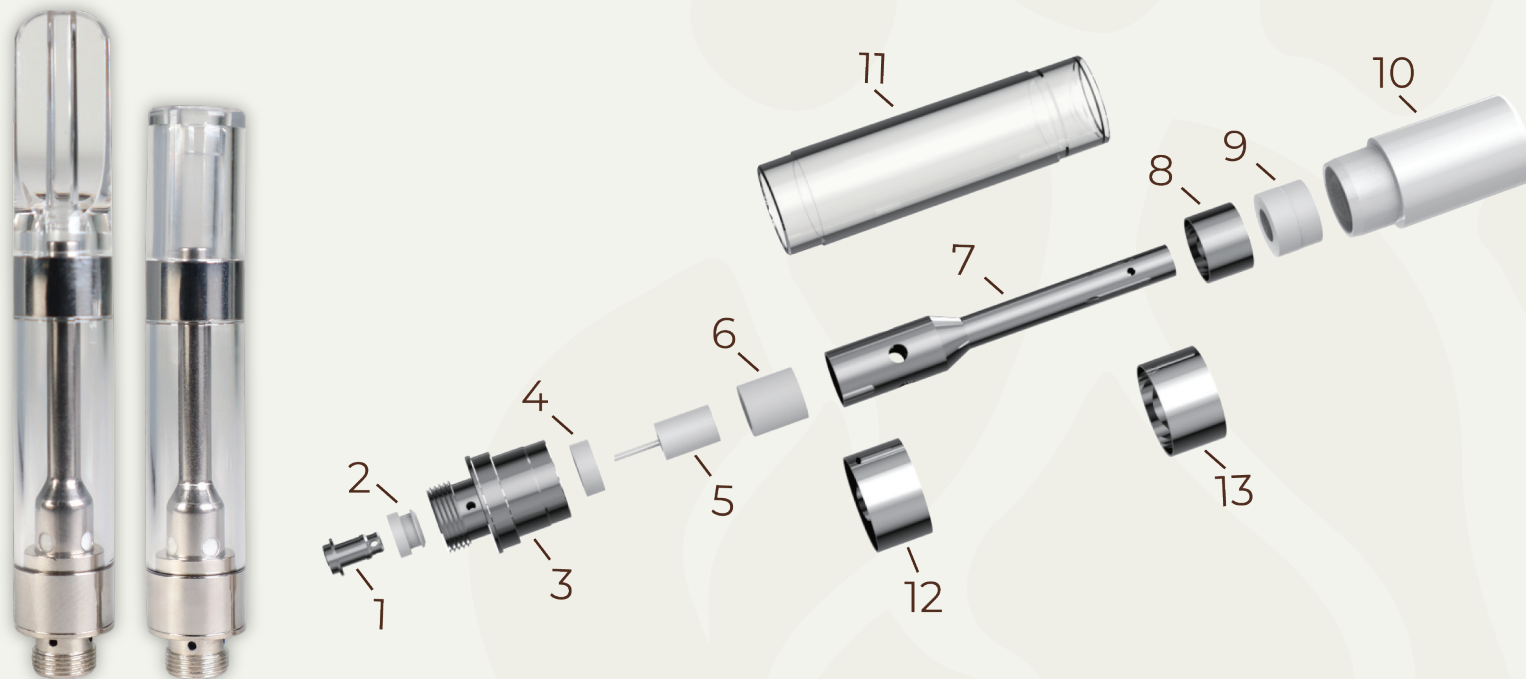
0.5mL

1.0mL



BEARROOTZ.COM

# DIAGRAMS: CELESTIA (CQ101S) QUARTZ CARTRIDGES



1	Electrode Pin	5	Condensed Cotton	8	O-Ring	11	Rivet Plastic Piece
2	Silicone	6	Quartz Disc	9	Ceramic Center Post	12	Mouthpiece
3	510 Threading Base	7	Cross Cotton	10	Oil Resistant Silicone Piece	13	Glass Reservoir
4	Plastic Spacer						

The **CQ101S Poly Core Tanker** uses **Quartz Atomizer Technology** which is an innovative and cleaner way to vape oils. As one of few cartridges out on the market with a quartz atomizer, the CQ101S Poly utilizes some of the newest technology in the industry. The glass filter only allows vapor through, giving the consumer a more flavorful experience without harmful toxins. The quartz coil is so strong that it can withstand higher temperatures and more usage without burning out. The reservoir is made of polycarbonate (plastic) materials.

The **CQ101S Poly** is great paired with all viscosities of oil, allowing for a wide range of choices for the consumer. Breaking into the industry with the newest technologies, these cartridges are on their own level. Included is a base mouthpiece with **polycarbonate duckbill or barrel** mouthpiece.

# BEAR ROOTZ

