



BEAR ROOTZ

OMNI (CQ29) PACKET QUARTZ CARTRIDGES



WE APPRECIATE YOUR BUSINESS & OUR RELATIONSHIP.

QUARTZ CARTS CUSTOMIZATIONS OMNI QUARTZ SERIES

DETAILS

- Patented Quartz Atomizer Technology
- All-Ceramic Center Post
- Universal 510-Thread Base
- Resistance: 1.4ohm
- Won't Burn Out at High Temperatures

TANK

GLASS

SIZES

0.5mL

1.0mL

2.0mL

TIPS (Press-On)

Shape:

FLAT ELLIPSE

Material:

CERAMIC

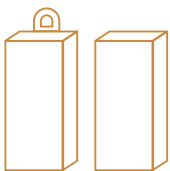
TIP OPTIONS:
White Ceramic
Flat Ellipse/Barrel



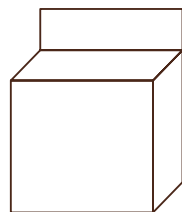
PACKAGING OPTIONS

INDIVIDUAL OPTIONS

- No Window
- Window
- No Hanger
- Hanger
- Non-CR
- CR



MASTER DISPLAY



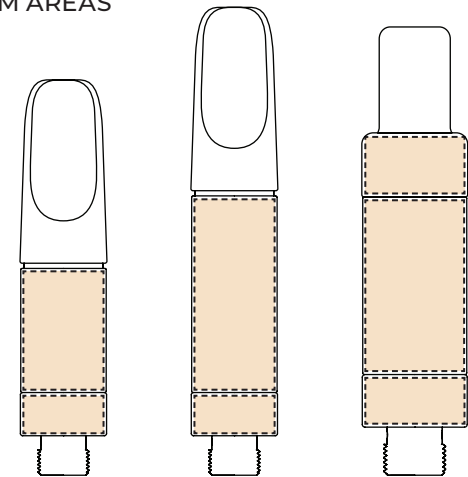
Cartridge boxes are fully customizable to your brand. We can print as many colors as you would like, but keep in mind, the more colors you print, the higher the cost.

CARTRIDGE DESIGN OPTIONS

Options can be combined.

Logo on Body (1 Color)	+ \$0.06
Logo on Body (2 Colors)	+ \$0.11
Custom Color Mouthpiece	+ \$0.11
Custom Color on Collar	+ \$0.11
Logo on Collar (1 Color)	+ \$0.06
Etched Logo on Collar	+ \$0.06
Cannabis State Warning Symbol on Glass	+ \$0.06-\$0.14

 CUSTOM AREAS



MINIMUM ORDER QUANTITY

CARTRIDGES	5,000
INDIVIDUAL BOXES	Varies
MASTER DISPLAY BOXES	Varies

Higher quantities purchased may result in price breaks. Please speak to a sales agent for pricing details.

OMNI (CQ29) QUARTZ CARTRIDGES



Same oil, better flavor, happier customers!

Quartz Atomizer Technology is the next step in the cartridge evolution, it's the most modern & flavorful way to vape! Our Quartz Cartridges feature our patented quartz atomizer and filter system that enhances oil flavor while reducing leakage and damage. Our stock Quartz Cartridges can also be fully customized to suit your branding needs.

The Best Flavor Profile on the Market

Thanks to the natural properties of quartz, quartz atomizers provide superior flavor and consistent vapor production from the very first puff to the last.

Atomizers made of non-quartz materials tend to wear down faster, releasing particles into the vapor and altering the oils' natural flavor.

Handles Almost All Ranges of Viscosity

Our patented microporous filtering technology allows processors to use a single cartridge style for multiple oil types. Our quartz filters are designed to only allow vapor to pass through, greatly reducing the risk of leaks.

Many cartridges currently in the market require adjustments to accommodate oils with different viscosities, but our patented technology eliminates this need and allows for seamless use with various oil types.

Superior Heating Element

Due to quartz's crystalline structure, it naturally conducts heat while using less energy compared to other atomizers on the market.

Since quartz has equally-sized pores, it allows the atomizer to heat up and vaporize the oil more evenly with less energy, resulting in a smoother vaping experience without any burnt hits.



* PatentNo: US 10,701,977

HOW TO ORDER & GET PRICING

Please email:

SUPPORT@BEARROOTZ.COM

Ask for our individual packets to learn more about our products!

DETAILS

- Full Customization Available
- Patented Quartz Atomizer Technology
- Universal 510-Thread
- All-Ceramic Center Post

DESIGN OPTIONS

- **TANK:** Glass
- **CENTER POST:** All-Ceramic
- **BASE:** Ceramic
- **TIPS:** Flat Ellipse (Press-On)

SIZES

0.5mL

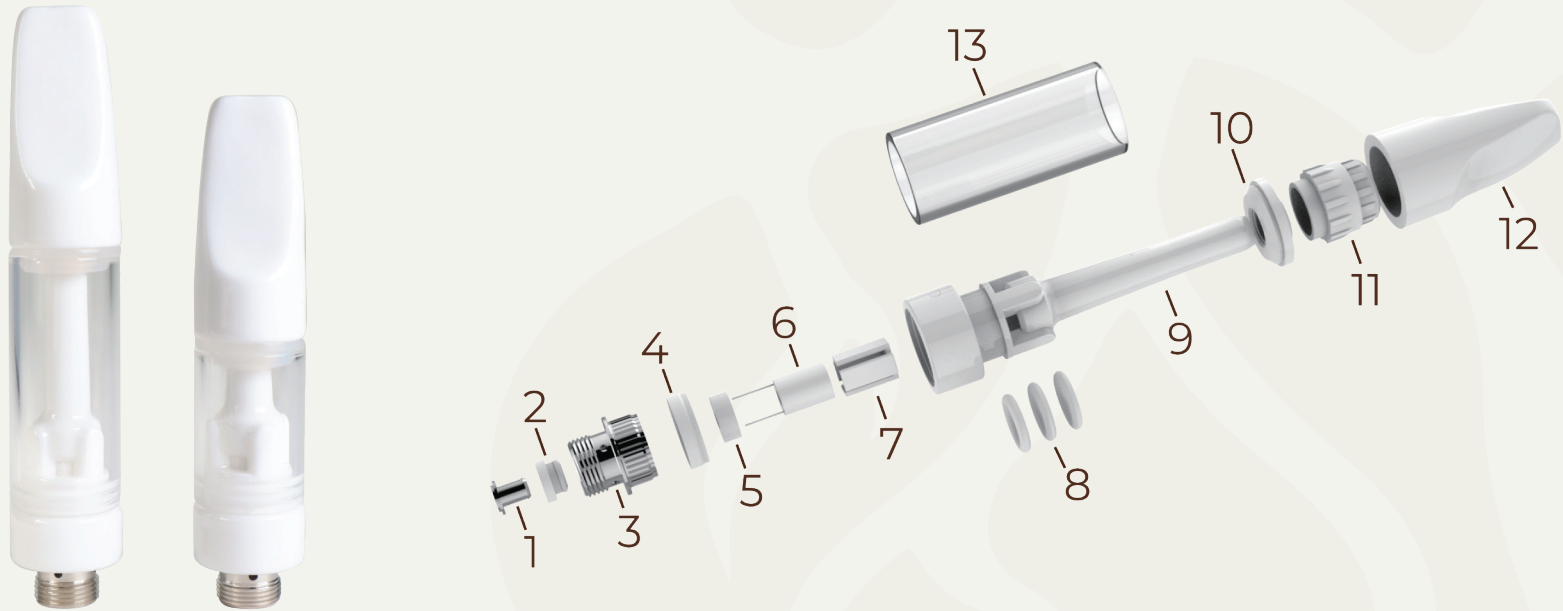
1.0mL



BEARROOTZ.COM



DIAGRAMS: CQ29 QUARTZ CARTRIDGES



1	Electrode Pin	5	Condensed Cotton	8	O-Ring	11	Rivet Plastic Piece
2	Silicone	6	Quartz Disc	9	Ceramic Center Post	12	Mouthpiece
3	510 Threading Base	7	Cross Cotton	10	Oil Resistant Silicone Piece	13	Glass Reservoir
4	Plastic Spacer						

The **CQ29 Quartz Tanker** uses **Quartz Atomizer Technology** and has a full ceramic center post which eliminates any oil-to-metal contact. The best of both worlds makes this cartridge the ultimate vaping experience. As one of few cartridges out on the market with a quartz atomizer, the **CQ29** utilizes the newest and most advanced heating element technology in the industry.

The **quartz atomizer** creates vapor much cleaner, more efficiently and it is much more durable than a traditional ceramic atomizer ever can be giving the consumer a more flavorful and superior experience.

OMNI XL (CQ29) QUARTZ CARTRIDGES



Same oil, better flavor, happier customers!

Quartz Atomizer Technology is the next step in the cartridge evolution, it's the most modern & flavorful way to vape! Our Quartz Cartridges feature our patented quartz atomizer and filter system that enhances oil flavor while reducing leakage and damage. Our stock Quartz Cartridges can also be fully customized to suit your branding needs.

The Best Flavor Profile on the Market

Thanks to the natural properties of quartz, quartz atomizers provide superior flavor and consistent vapor production from the very first puff to the last.

Atomizers made of non-quartz materials tend to wear down faster, releasing particles into the vapor and altering the oils' natural flavor.

Handles Almost All Ranges of Viscosity

Our patented microporous filtering technology allows processors to use a single cartridge style for multiple oil types. Our quartz filters are designed to only allow vapor to pass through, greatly reducing the risk of leaks.

Many cartridges currently in the market require adjustments to accommodate oils with different viscosities, but our patented technology eliminates this need and allows for seamless use with various oil types.

Superior Heating Element

Due to quartz's crystalline structure, it naturally conducts heat while using less energy compared to other atomizers on the market.

Since quartz has equally-sized pores, it allows the atomizer to heat up and vaporize the oil more evenly with less energy, resulting in a smoother vaping experience without any burnt hits.



* PatentNo: US 10,701,977

HOW TO ORDER & GET PRICING

Please email:

SUPPORT@BEARROOTZ.COM

Ask for our individual packets to learn more about our products!

DETAILS

- Full Customization Available
- Patented Quartz Atomizer Technology
- Universal 510-Thread
- All-Ceramic Center Post

DESIGN OPTIONS

- **TANK:** Glass
- **CENTER POST:** All-Ceramic
- **BASE:** Ceramic
- **TIPS:** Barrel (Press-On)

SIZES

2.0mL



BEARROOTZ.COM