



BEAR ROOTZ

STELLA SERIES (CQ5S/CQ6) PACKET QUARTZ CARTRIDGES



QUARTZ CARTS CUSTOMIZATIONS STELLA S (CQ5S)

DETAILS

- Patented Quartz Atomizer Technology
- Stainless Steel Center Post
- Universal 510-Thread
- Resistance: 1.4ohm
- Won't Burn Out at High Temperatures

TANK

GLASS

SIZES

0.5mL

1.0 mL

TIPS (Screw-On)

Shape:

DUCKBILL

Material:

CERAMIC

TIP OPTIONS:
Black or White
Ceramic Duckbill

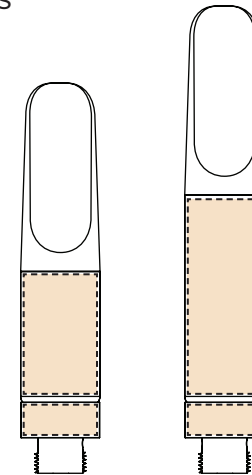


CARTRIDGE DESIGN OPTIONS

Options can be combined.

Logo on Glass (1 Color)	+ \$0.06
Logo on Glass (2 Colors)	+ \$0.11
Custom Color Mouthpiece	+ \$0.11
Custom Color on Collar	+ \$0.11
Logo on Collar (1 Color)	+ \$0.06
Etched Logo on Collar	+ \$0.06
Cannabis State Warning Symbol on Glass	+ \$0.06-\$0.14

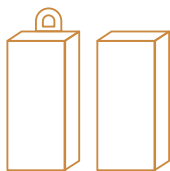
 CUSTOM AREAS



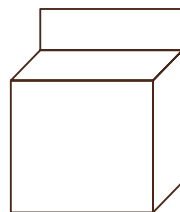
PACKAGING OPTIONS

INDIVIDUAL OPTIONS

- No Window
- Window
- No Hanger
- Hanger
- Non-CR
- CR



MASTER DISPLAY



Cartridge boxes are fully customizable to your brand. We can print as many colors as you would like, but keep in mind, the more colors you print, the higher the cost.

MINIMUM ORDER QUANTITY

CARTRIDGES	5,000
INDIVIDUAL BOXES	Varies
MASTER DISPLAY BOXES	Varies

Higher quantities purchased may result in price breaks. Please speak to a sales agent for pricing details.

STELLA S (CQ5S) QUARTZ CARTRIDGES



Same oil, better flavor, happier customers!

Quartz Atomizer Technology is the next step in the cartridge evolution, it's the most modern & flavorful way to vape! Our Quartz Cartridges feature our patented quartz atomizer and filter system that enhances oil flavor while reducing leakage and damage. Our stock Quartz Cartridges can also be fully customized to suit your branding needs.

The Best Flavor Profile on the Market

Thanks to the natural properties of quartz, quartz atomizers provide superior flavor and consistent vapor production from the very first puff to the last.

Atomizers made of non-quartz materials tend to wear down faster, releasing particles into the vapor and altering the oils' natural flavor.

Handles Almost All Ranges of Viscosity

Our patented microporous filtering technology allows processors to use a single cartridge style for multiple oil types. Our quartz filters are designed to only allow vapor to pass through, greatly reducing the risk of leaks.

Many cartridges currently in the market require adjustments to accommodate oils with different viscosities, but our patented technology eliminates this need and allows for seamless use with various oil types.

Superior Heating Element

Due to quartz's crystalline structure, it naturally conducts heat while using less energy compared to other atomizers on the market.

Since quartz has equally-sized pores, it allows the atomizer to heat up and vaporize the oil more evenly with less energy, resulting in a smoother vaping experience without any burnt hits.

Black Mouthpiece

White Mouthpiece



* PatentNo: US 10,701,977

HOW TO ORDER & GET PRICING

Please email:

SUPPORT@BEARROOTZ.COM

Ask for our individual packets to learn more about our products!

DETAILS

- Full Customization Available
- Patented Quartz Atomizer Technology
- Universal 510-Thread
- Stainless Steel Center Post

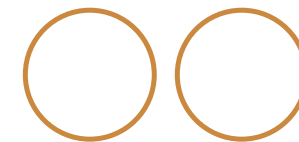
DESIGN OPTIONS

- **TANK:** Glass
- **CENTER POST:** Stainless Steel
- **COLLAR:** Custom
- **TIPS:** Duckbill (Screw-On)

SIZES

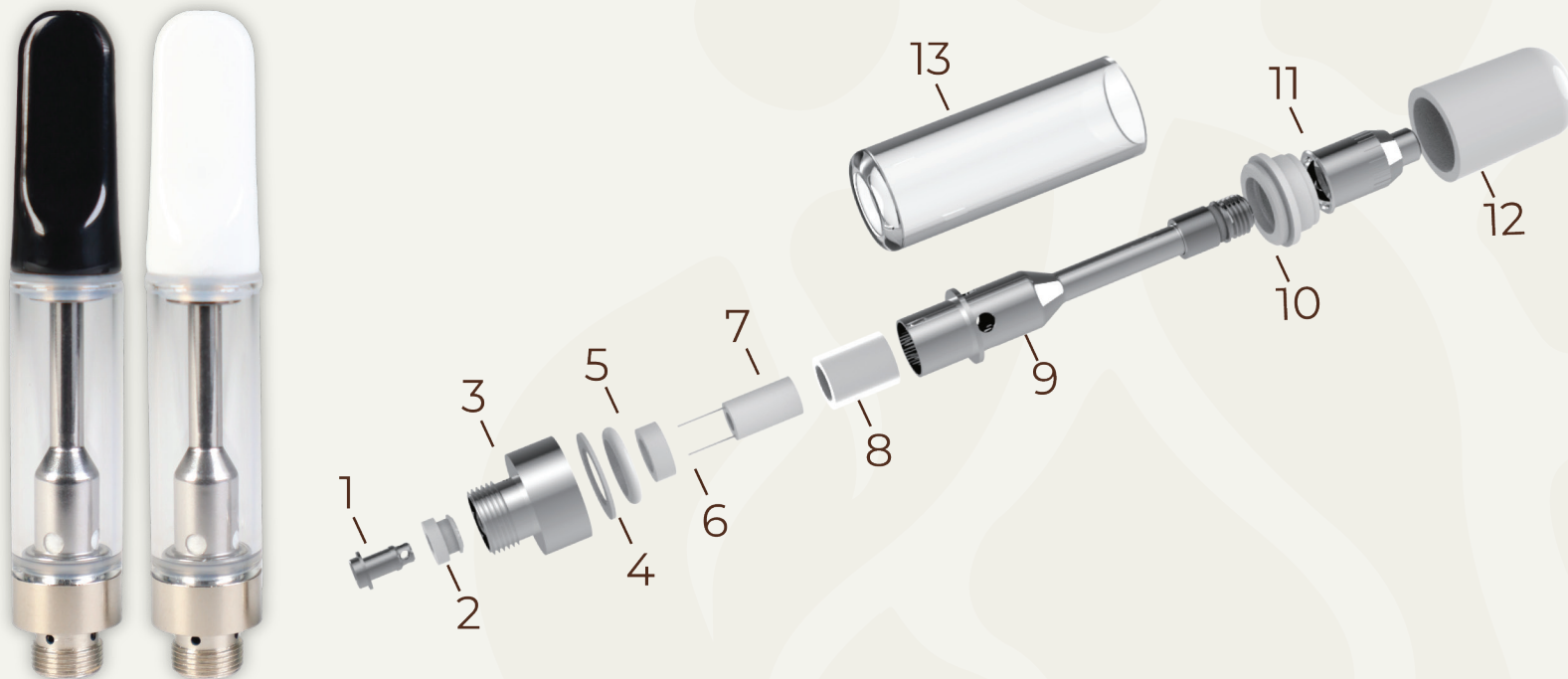
0.5mL

1.0mL



BEARROOTZ.COM

DIAGRAMS: STELLA S (CQ5S) QUARTZ CARTRIDGES



1	Electrode Pin	5	O-Ring	8	Non-Woven Fabric/Cotton	11	Threaded Copper Piece
2	Silicone	6	Plastic Spacer	9	Center Post	12	Mouthpiece
3	510 Threading Base	7	Quartz Disc	10	Oil Resistant Silicone Piece	13	Glass Reservoir
4	O-Type Gasket						

The **CQ5S** uses **Quartz Atomizer Technology** which is an innovative and cleaner way to vape oils. As one of few cartridges out on the market with a quartz atomizer, the CQ5S utilizes some of the newest technology in the industry. The **glass filter** allows only vapor through, giving the consumer a more flavorful experience without harmful toxins. The quartz is so strong that it can withstand higher temperatures and more usage without burning out.

The reservoir is also made of glass, to give the fullest flavor and maintain the oil's true integrity. The CQ5S is great paired with all viscosities of oil, allowing for a wide range of choices for the consumer. Breaking into the industry with the newest technologies, these cartridges are on their own level. Included is a base d mouthpiece with a choice of either a **black or white ceramic duckbill shape**.

BEARROOTZ



QUARTZ CARTS CUSTOMIZATIONS STELLA (CQ6)

DETAILS

- Patented Quartz Atomizer Technology
- Stainless Steel Center Post
- Universal 510-Thread
- Resistance: 1.4ohm
- Won't Burn Out at High Temperatures

TANK

GLASS

SIZES

0.5mL

1.0 mL

TIPS (Press-On)

Shape:

FLAT DUCKBILL

Material:

CERAMIC

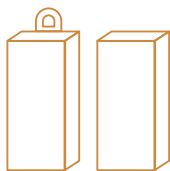
TIP OPTIONS:
Black or White
Ceramic Flat Duckbill



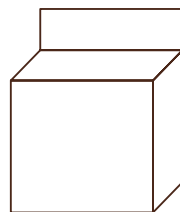
PACKAGING OPTIONS

INDIVIDUAL OPTIONS

- No Window
- Window
- No Hanger
- Hanger
- Non-CR
- CR



MASTER DISPLAY



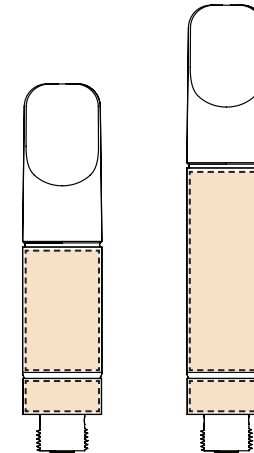
Cartridge boxes are fully customizable to your brand. We can print as many colors as you would like, but keep in mind, the more colors you print, the higher the cost.

CARTRIDGE DESIGN OPTIONS

Options can be combined.

Logo on Glass (1 Color)	+ \$0.06
Logo on Glass (2 Colors)	+ \$0.11
Custom Color Mouthpiece	+ \$0.11
Custom Color on Collar	+ \$0.11
Logo on Collar (1 Color)	+ \$0.06
Etched Logo on Collar	+ \$0.06
Cannabis State Warning Symbol on Glass	+ \$0.06-\$0.14

 CUSTOM AREAS



MINIMUM ORDER QUANTITY

CARTRIDGES	5,000
INDIVIDUAL BOXES	Varies
MASTER DISPLAY BOXES	Varies

Higher quantities purchased may result in price breaks. Please speak to a sales agent for pricing details.

STELLA (CQ6) QUARTZ CARTRIDGES



Same oil, better flavor, happier customers!

Quartz Atomizer Technology is the next step in the cartridge evolution, it's the most modern & flavorful way to vape! Our Quartz Cartridges feature our patented quartz atomizer and filter system that enhances oil flavor while reducing leakage and damage. Our stock Quartz Cartridges can also be fully customized to suit your branding needs.

The Best Flavor Profile on the Market

Thanks to the natural properties of quartz, quartz atomizers provide superior flavor and consistent vapor production from the very first puff to the last.

Atomizers made of non-quartz materials tend to wear down faster, releasing particles into the vapor and altering the oils' natural flavor.

Handles Almost All Ranges of Viscosity

Our patented microporous filtering technology allows processors to use a single cartridge style for multiple oil types. Our quartz filters are designed to only allow vapor to pass through, greatly reducing the risk of leaks.

Many cartridges currently in the market require adjustments to accommodate oils with different viscosities, but our patented technology eliminates this need and allows for seamless use with various oil types.

Superior Heating Element

Due to quartz's crystalline structure, it naturally conducts heat while using less energy compared to other atomizers on the market.

Since quartz has equally-sized pores, it allows the atomizer to heat up and vaporize the oil more evenly with less energy, resulting in a smoother vaping experience without any burnt hits.

Black Mouthpiece

White Mouthpiece



* PatentNo: US 10,701,977

HOW TO ORDER & GET PRICING

Please email:

SUPPORT@BEARROOTZ.COM

Ask for our individual packets to learn more about our products!

DETAILS

- Full Customization Available
- Patented Quartz Atomizer Technology
- Universal 510-Thread
- Stainless Steel Center Post

DESIGN OPTIONS

- **TANK:** Glass
- **CENTER POST:** Stainless Steel
- **COLLAR:** Custom
- **TIPS:** Flat Duckbill (Press-On)

SIZES

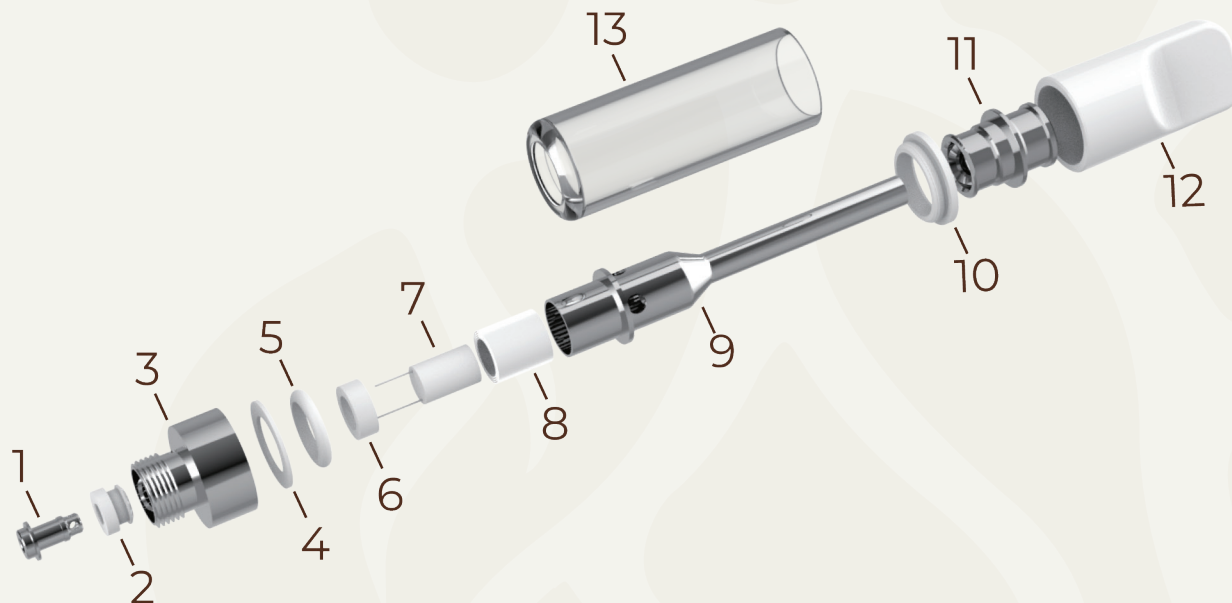
0.5mL

1.0mL



BEARROOTZ.COM

DIAGRAMS: STELLA (CQ6) QUARTZ CARTRIDGES



1	Electrode Pin	5	O-Ring	8	Non-Woven Fabric/Cotton	11	Rivet Copper Piece
2	Silicone	6	Plastic Spacer	9	Center Post	12	Mouthpiece
3	510 Threading Base	7	Quartz Disc	10	Oil Resistant Silicone Piece	13	Glass Reservoir
4	O-Type Gasket						

The **CQ6** uses **Quartz Atomizer Technology** which is an innovative and cleaner way to vape oils. As one of few cartridges out on the market with a quartz atomizer, the CQ6 utilizes some of the **newest technology** in the industry. The **glass filter** only allows vapor through, giving the consumer a more flavorful experience without harmful toxins.

The quartz is so strong that it can **withstand higher temperatures** and more usage without burning out. The reservoir is made of glass materials. The CQ6 is great paired with all viscosities of oil, allowing for a wide range of choices for the consumer. Breaking into the industry with the newest technologies, these cartridges are on their own level. Included is a **base flat duckbill mouthpiece** made of ceramic.

BEAR ROOTZ

