



# BEAR ROOTZ

---

## NANO/NANO PRO PACKET

### NANO-CORE CARTRIDGES

---



WE APPRECIATE YOUR BUSINESS & OUR RELATIONSHIP.

# NANO-CORE CARTRIDGE CUSTOMIZATIONS NANO

## DETAILS

- Nano-Core Atomizer Technology
- Lead-Free Brass Center Post
- Universal 510 Base Threading
- Resistance: 1.3 - 1.4ohm
- Aperture: (4) 2mm Holes

## TANK

BPA-FREE POLYCARBONATE

## SIZES

0.5mL 1.0mL

**TIPS** (Press-On)

Shape:

DUCKBILL BARREL

Material:

PLASTIC

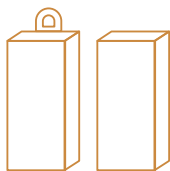
TIP OPTIONS:  
Plastic Duckbill/Barrel



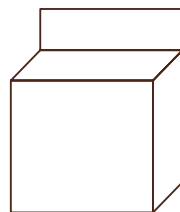
## PACKAGING OPTIONS

### INDIVIDUAL OPTIONS

- No Window
- Window
- No Hanger
- Hanger
- Non-CR
- CR



### MASTER DISPLAY



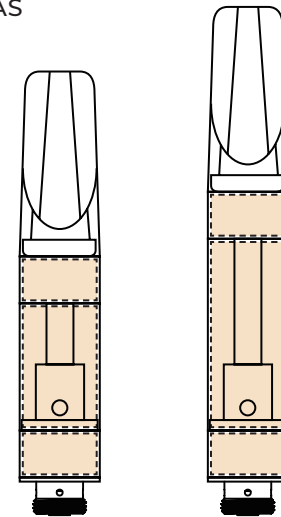
Cartridge boxes are fully customizable to your brand. We can print as many colors as you would like, but keep in mind, the more colors you print, the higher the cost.

## CARTRIDGE DESIGN OPTIONS

Options can be combined.

Logo on Glass (1 Color)	+ \$0.06
Logo on Glass (2 Colors)	+ \$0.11
Custom Color Mouthpiece	+ \$0.11
Custom Color on Collar	+ \$0.11
Logo on Collar (1 Color)	+ \$0.06
Etched Logo on Collar	+ \$0.06
Cannabis State Warning Symbol on Glass	+ \$0.06-\$0.14

 CUSTOM AREAS



## MINIMUM ORDER QUANTITY

CARTRIDGES	5,000
INDIVIDUAL BOXES	Varies
MASTER DISPLAY BOXES	Varies

Higher quantities purchased may result in price breaks. Please speak to a sales agent for pricing details.

# NANO NANO-CORE CARTRIDGE



*Same oil, better flavor, happier customers!*

Nano-Core Technology is the blend the cartridge evolution, it's the most modern & flavorful way to vape! Our Nano-Core cartridge feature our patented quartz atomizer and filter system that enhances oil flavor while reducing leakage and damage. Our stock Nano-Core cartridge can also be fully customized to suit your branding needs.

## Nano Atomizer

Bear Rootz Inc. Nano-Core heating element is thoughtfully designed to create smaller vapor particles upon contact with Oils.

## Increased Bio Availability

The Nano-Core atomizer by creating smaller vapor particles increases the rate of which absorption happens. Allowing for smaller puffs for a similar medication dose.

## Cutting Edge-Innovation

Bear Rootz Inc. is committed to creating the newest and highest-quality products in the industry.

Duckbill Mouthpiece

Barrel Mouthpiece



\* PatentNo: US 10,701,977

## HOW TO ORDER & GET PRICING

Please email:

[SUPPORT@BEARROOTZ.COM](mailto:SUPPORT@BEARROOTZ.COM)

Ask for our individual packets to learn more about our products!

### DETAILS

- Full Customization Available
- Patented Nano-Core Atomizer Technology
- Universal 510-Thread
- Lead-Free Brass Center Post

### DESIGN OPTIONS

- **TANK:** Poly
- **CENTER POST:** Lead-Free Brass
- **COLLAR:** Custom
- **TIPS:** Duckbill/Barrel (Press-On)

### SIZES

0.5mL

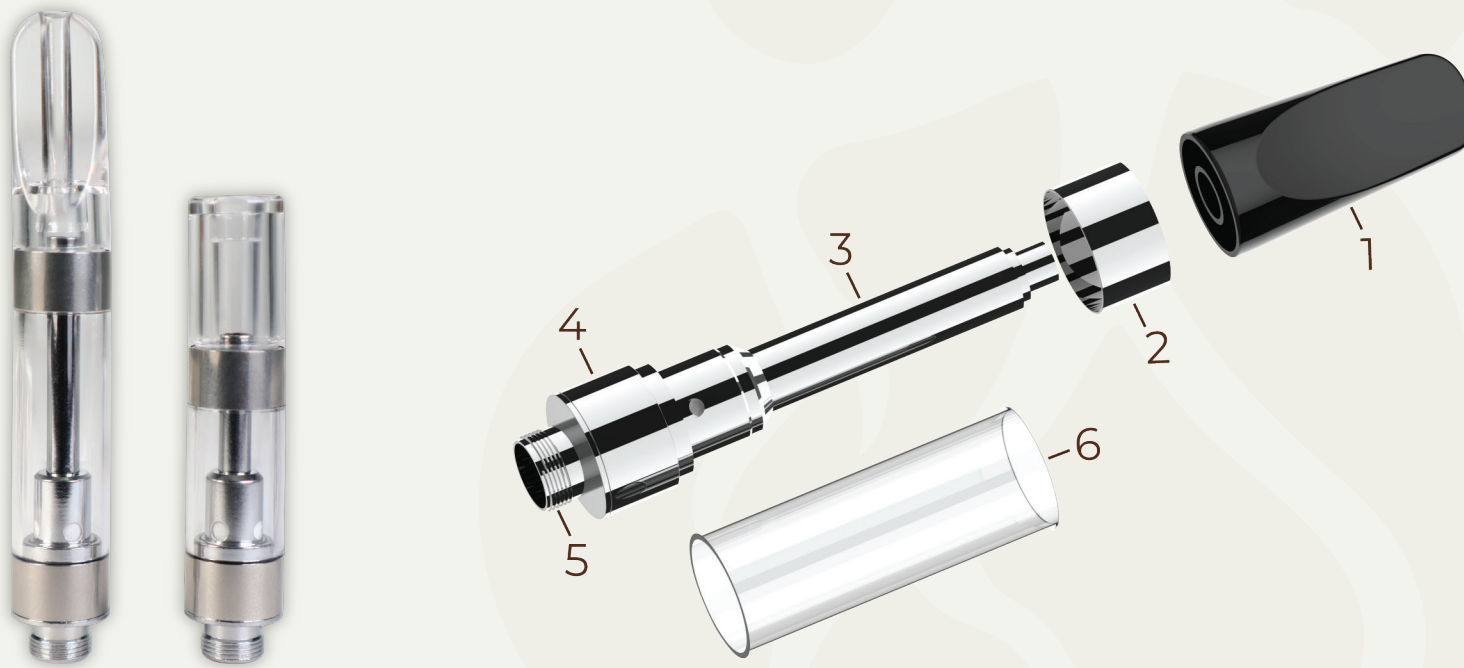
1.0mL



[BEARROOTZ.COM](http://BEARROOTZ.COM)



## DIAGRAMS: NANO POLY CARTRIDGES



1	Mouthpiece	3	Center Post	5	510 Base Threading
2	Steel Connector	4	Nano-Core Atomizer	6	Poly Housing

The “Nano” is a **Polycarbonate Cartridge** that has an exclusive to **Bear Rootz Nano-Core heating element** which is designed to deliver the ultimate vape experience. More puffs per cartridge of the same size than any other!

The **Nano Pro heating element** was thoughtfully engineered to create smaller vapor particles upon oil contact. This increases efficiency of oils and improves bioavailability of oil compounds due to the decrease in vapor particle size. With the combination of a durable polycarbonate tank and the Nano-Core heating element our **Nano cartridges** create a unique and market-separating experience for any brand!

# NANO-CORE CARTRIDGE CUSTOMIZATIONS NANO PRO

## DETAILS

- Nano-Core Atomizer Technology
- Lead-Free Brass Center Post
- Universal 510 Base Threading
- Resistance: 1.3 - 1.4ohms
- Apertures: (4) 2.0mm Holes

## TANK

GLASS

## SIZES

0.5mL

1.0 mL

**TIPS** (Easy Press-On or Screw-On)

Shape:

DUCKBILL

Material:

CERAMIC

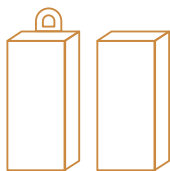
**TIP OPTIONS:**  
Black or White  
Ceramic Duckbill



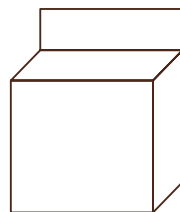
## PACKAGING OPTIONS

### INDIVIDUAL OPTIONS

- No Window
- Window
- No Hanger
- Hanger
- Non-CR
- CR



### MASTER DISPLAY



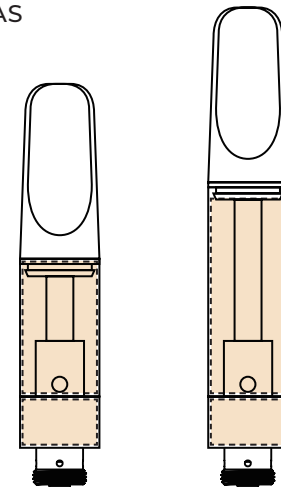
Cartridge boxes are fully customizable to your brand. We can print as many colors as you would like, but keep in mind, the more colors you print, the higher the cost.

## CARTRIDGE DESIGN OPTIONS

Options can be combined.

Logo on Glass (1 Color)	+ \$0.06
Logo on Glass (2 Colors)	+ \$0.11
Custom Color Mouthpiece	+ \$0.11
Custom Color on Collar	+ \$0.11
Logo on Collar (1 Color)	+ \$0.06
Etched Logo on Collar	+ \$0.06
Cannabis State Warning Symbol on Glass	+ \$0.06-\$0.14

 CUSTOM AREAS



## MINIMUM ORDER QUANTITY

CARTRIDGES	5,000
INDIVIDUAL BOXES	Varies
MASTER DISPLAY BOXES	Varies

Higher quantities purchased may result in price breaks. Please speak to a sales agent for pricing details.

# NANO PRO NANO-CORE CARTRIDGE



*Same oil, better flavor, happier customers!*

Nano-Core Technology is the blend the cartridge evolution, it's the most modern & flavorful way to vape! Our Nano-Core cartridge feature our patented quartz atomizer and filter system that enhances oil flavor while reducing leakage and damage. Our stock Nano-Core cartridge can also be fully customized to suit your branding needs.

## Nano Atomizer

Bear Rootz Inc. Nano-Core heating element is thoughtfully designed to create smaller vapor particles upon contact with Oils.

## Increased Bio Availability

The Nano-Core atomizer by creating smaller vapor particles increases the rate of which absorption happens. Allowing for smaller puffs for a similar medication dose.

## Cutting Edge-Innovation

Bear Rootz Inc. is committed to creating the newest and highest-quality products in the industry.

Black Mouthpiece

White Mouthpiece



\* PatentNo: US 10,701,977

## HOW TO ORDER & GET PRICING

Please email:

[SUPPORT@BEARROOTZ.COM](mailto:SUPPORT@BEARROOTZ.COM)

Ask for our individual packets to learn more about our products!

### DETAILS

- Full Customization Available
- Patented Nano-Core Atomizer Technology
- Universal 510-Thread
- Lead-Free Brass Center Post

### DESIGN OPTIONS

- **TANK:** Glass
- **CENTER POST:** Lead-Free Brass
- **COLLAR:** Custom
- **TIPS:** Duckbill (Easy Press-On or Screw-On)

### SIZES

0.5mL

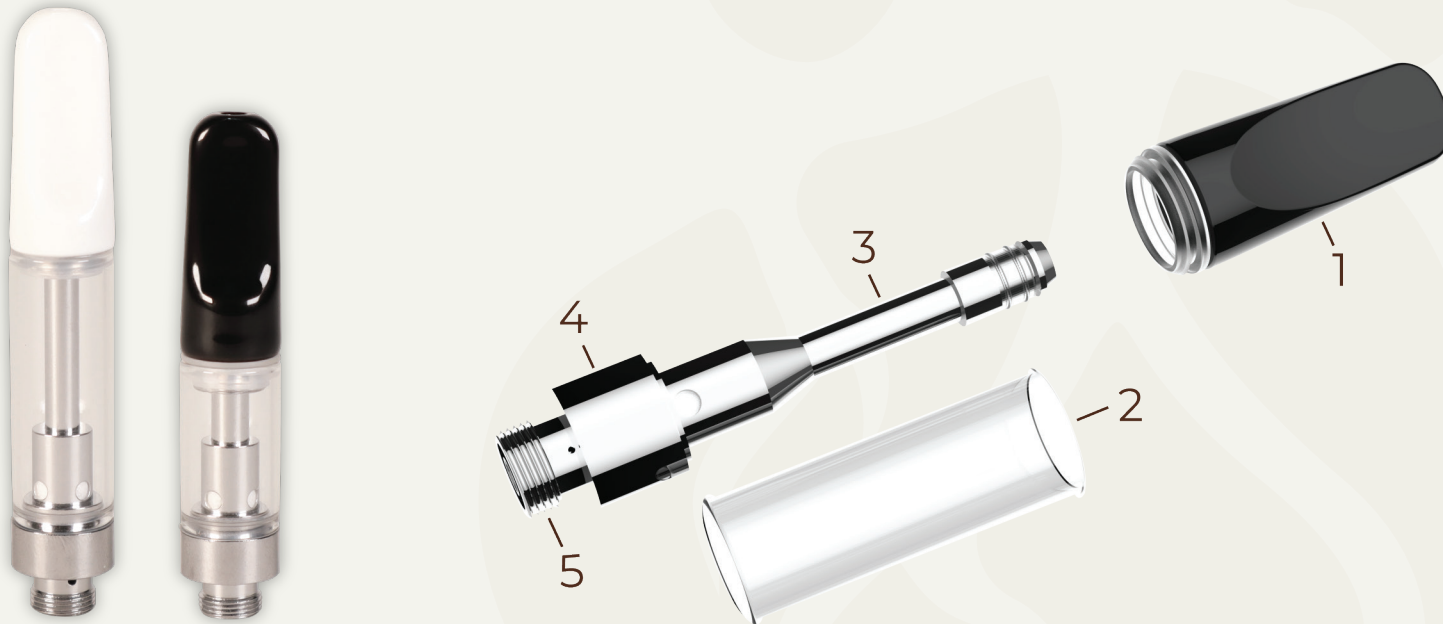
1.0mL



[BEARROOTZ.COM](http://BEARROOTZ.COM)



## DIAGRAMS: NANO PRO GLASS CARTRIDGES



1	Mouthpiece	2	Glass Housing	3	Center Post
4	Nano-Core Atomizer	5	510 Base Threading		

The “Nano Pro” is a **Glass Cartridge** that has an exclusive to Bear Rootz **Nano-Core heating element** which is designed to deliver the ultimate vape experience. More puffs per cartridge of the same size than any other!

The **Nano Pro heating element** was thoughtfully engineered to create smaller vapor particles upon oil contact. This increases efficiency of oils and improves bioavailability of oil compounds due to the decrease in vapor particle size. With the combination of a durable Glass tank and the Nano-Core heating element our **Nano Pro cartridges** create a unique and market-separating experience for any brand!